

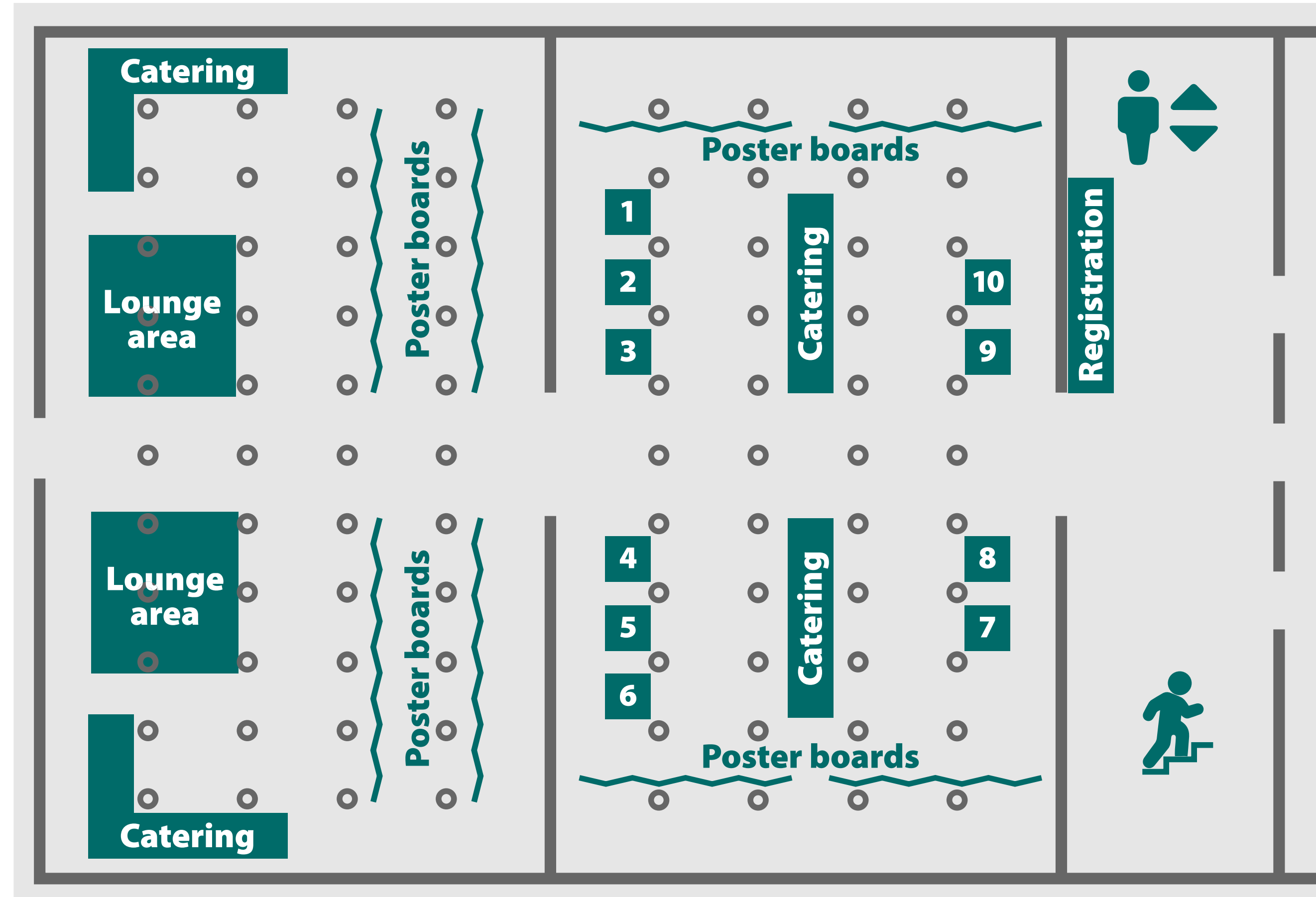


BETA CAE Systems

www.beta-cae.com

[Stand #4]

BETA is an engineering simulation solutions provider, dedicated to the development of state-of-the-art software systems. For more than 30 years, we have been developing tools and delivering services for the front runners of numerous sectors by listening to their needs and taking up even the most demanding challenges.



Bertec

www.bertec.com

[Stand #10]

Thirty years of measurement excellence. Bertec's products have represented a legacy of excellence in biomechanics for over thirty years. We provide solutions founded in accuracy and precision. Our engineering is trusted worldwide to enable a deeper understanding of human movement.



BoB Biomechanics

www.bob-biomechanics.com

[Stand #3]

BoB (Biomechanics of Bodies) is a biomechanical modelling software package combining a human musculoskeletal model with easy to use, intuitive interface and powerful analysis functionality resulting in quantitative, objective information. There are four variants – BoB/Research, BoB/EMG, BoB/Ergo and BoB/Teaching making it ideal for commercial applications, academic research and teaching.



Qualisys AB

www.qualisys.com

[Stand #7]

Qualisys is a leading provider of motion capture technology and has a long history of supplying research, engineering, entertainment, and sports facilities with high-end camera systems and expertise in capturing and analyzing movements. Qualisys offers a wide range of products and services and has offices in Gothenburg, Chicago and Shanghai.



ESB Society

www.esbiomech.org

[Stand #6]



Biomomentum Inc.

www.biomomentum.com

[Stand #8]

Biomomentum manufactures and commercializes the Mach-1 mechanical tester. This all-in-one upgradable multi-axial mechanical tester is designed for compression, tension, bending, shear, friction, torsion and 3D indentation mapping of tissues and biomaterials. Unlike other micro/nanoindenters, the Mach-1 is the only tester that can automatically map the shape and mechanical properties of curved samples in 3D. The Mach-1 is used in research centers and university labs and is deemed an excellent educational tool. It has helped hundreds of scientists around the world to enhance and publish their innovative research activities. Biomomentum is also a service provider of high quality organ culture models and mechanical testing on biomaterials and tissues.



Materialise

www.materialise.com

[Stand #2]

Materialise Medical, which has pioneered many of the leading medical applications of 3D printing, enables researchers, engineers and clinicians to revolutionize innovative patient-specific treatment that helps improve and save lives. Materialise Medical's open and flexible platform of software and services, Materialise Mimics, forms the foundation of certified Medical 3D printing, in clinical as well as research environments, offering virtual planning software tools, 3D-printed anatomical models, and patient-specific surgical guides and implants. For additional information, please visit: medical.materialise.com



Delsys

www.delsyseurope.com

[Stand #9]

Delsys are committed to advancing human movement through innovative developments in electromyography (EMG) with an established foundation for unmatched signal quality, consistency and reliability.

Latest EMG innovations from Delsys include; Trigno Avanti (EMG & IMU), Trigno Quattro (4 x EMG miniheads & IMU), Trigno Galileo (EMG decomposition for dynamic contractions) and Trigno Maize (HDsEMG for Spatial Muscle Mapping)



Movella

Xsens Technologies B.V.

www.xsens.com

[Stand #1]

Our mission is to digitalize movement so that people can extract meaning and impact positive change. We provide intelligent solutions for sensing, capturing, and analyzing motion and states of being. Our products accelerate innovation and create extraordinary outcomes in entertainment, sports, health and industrial markets.



AnyBody Technology

www.anybodytech.com

[Stand #1]

AnyBody Technology is a leading provider of musculoskeletal modeling. The all-dominating area of application is the human body, but our technology applies to analysis of any creature – living, pre-historic, or imaginary.

Our base technology is the AnyBody Modeling System and the AnyBody Managed Model Repository containing a comprehensive full-body model.



AMTI Europe

www.amti.biz

[Stand #5]

Because Accuracy Matters... since over 45 years!

AMTI understands that the best quality research and testing in Orthopedics begins with the best equipment. For this reason, AMTI builds the most accurate Biomechanics Force Platforms, Instrumented Treadmills and state-of-the art Joint Simulators for your Biomechanical Research.